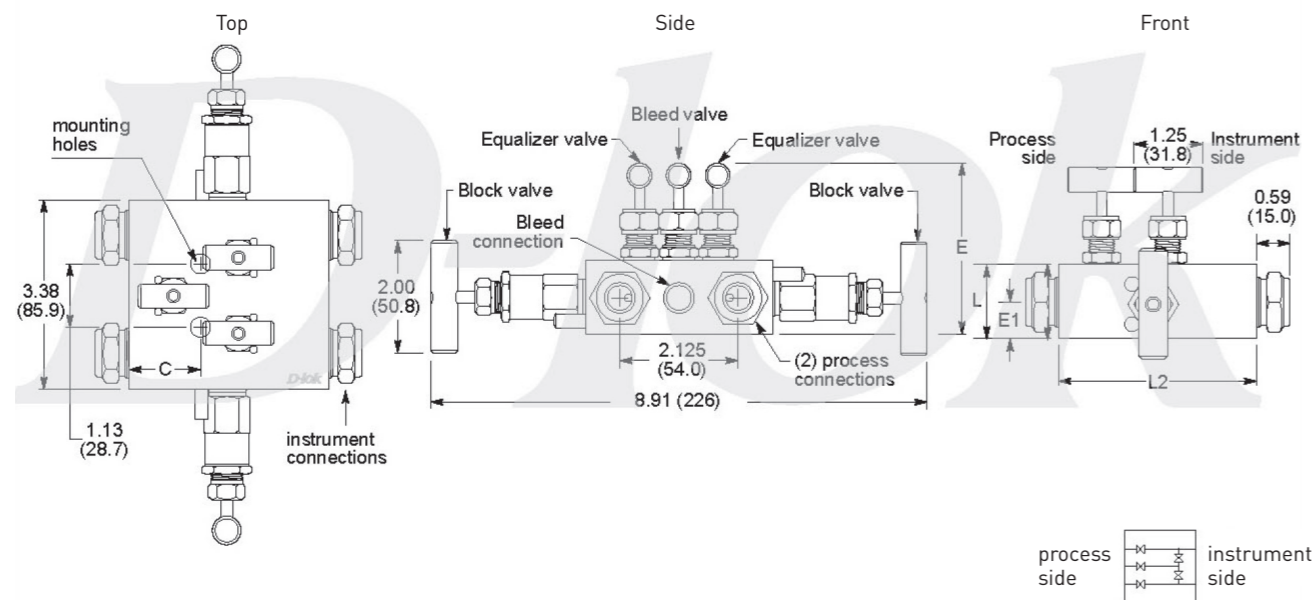


N5MV

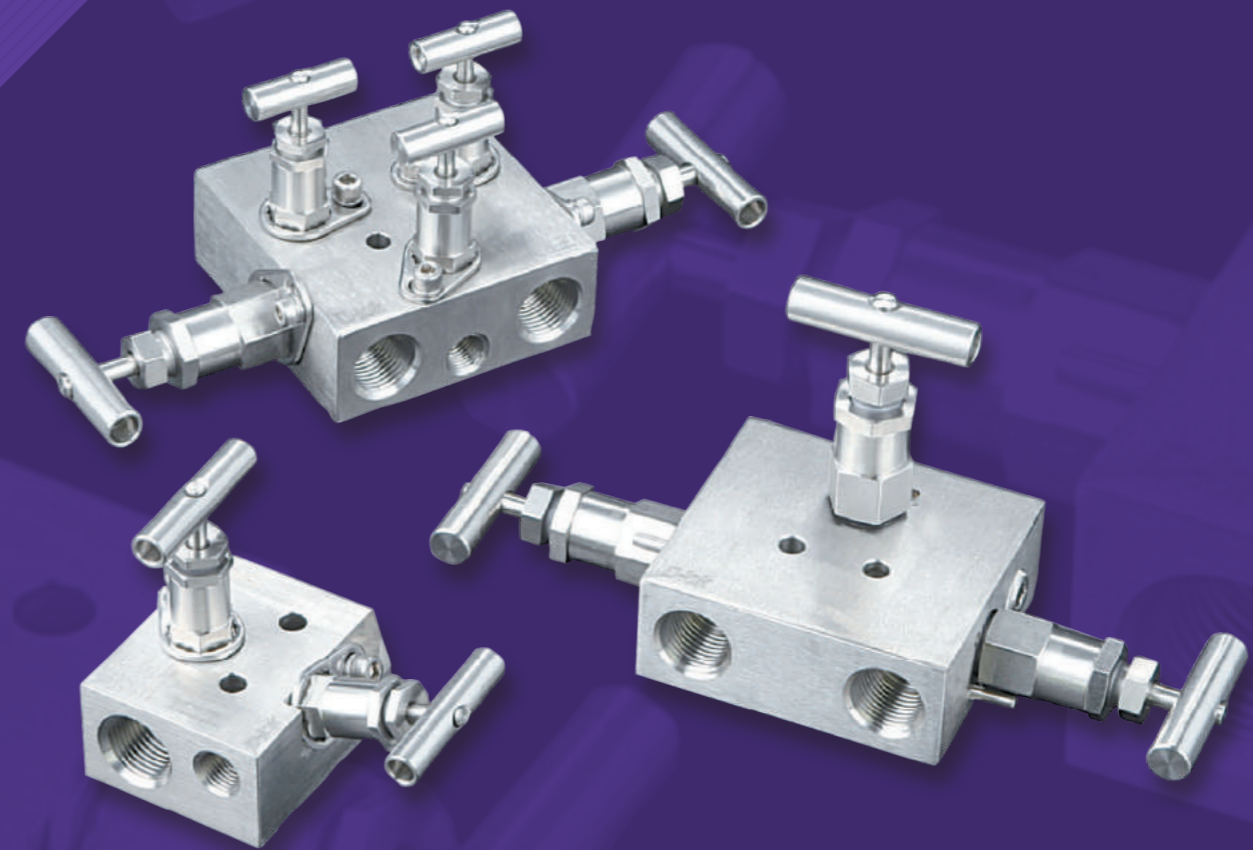
- Designed for mounting on differential pressure transmitters where a double-equalize function is required
- Consists of two block valves, two equalizer valves, and one bleed valve
- End connections-1/2" and 12mm female D-lok tube fitting, 1/2" female pipe(NPT)
- Horizontal body style
- Direct instrument mount and remote mount

Manifolds with Female D-lok Tube Fitting and Pipe Connections



Basic Ordering Number	End Connections			Dimensions, inch (mm)				
	Process	Instrument	Bleed	L	L1	L2	E	E1
S-N5MVFD8	1/2 in. female D-lok tube fitting	1/4 in. female NPT	1/4 in. female NPT	1.28 (32.5)	1.31 (33.3)	3.55 (90.2)	3.65 (92.7)	0.63 (16.0)
S-N5MVFD12MM	12 mm female D-lok tube fitting	1/4 in. female NPT	1/4 in. female NPT	1.28 (32.5)	1.31 (33.3)	3.55 (90.2)	3.65 (92.7)	0.63 (16.0)
S-N5MVF8	1/2 in. female NPT	1/4 in. female NPT	1/4 in. female NPT	1.42 (36.0)	1.31 (33.3)	3.62 (91.9)	3.07 (78.0)	0.63 (16.0)

D-lok[®] MANIFOLDS VALVE SERIES



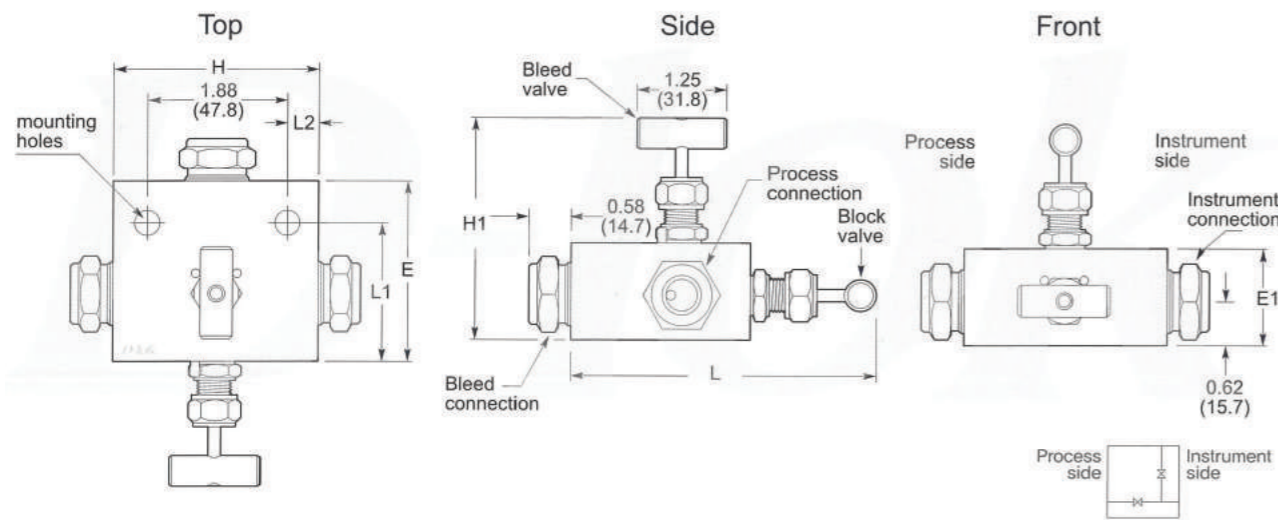
MANIFOLDS VALVE SERIES

- 2, 3, and 5-Valve instrument manifolds
- All 316 stainless steel construction with PTFE packing
- Working pressures up to 6000 psig (413 bar)
- Temperatures up to 1200°F (648°C) with Grafoil valve packing
- All Series are available to produce as special type

N2MV

- Allows for block and bleed (or calibration) of static pressure transmitter or gauge
- Consists of one block valve and one bleed valve
- End connections-1/2" in. and 12mm female D-lok tube fitting
- fitting : 1/2" female pipe(NPT)
- Horizontal body style
- Direct instrument mount and remote mount

Manifolds with Female D-lok Tube Fittings and Pipe Connections

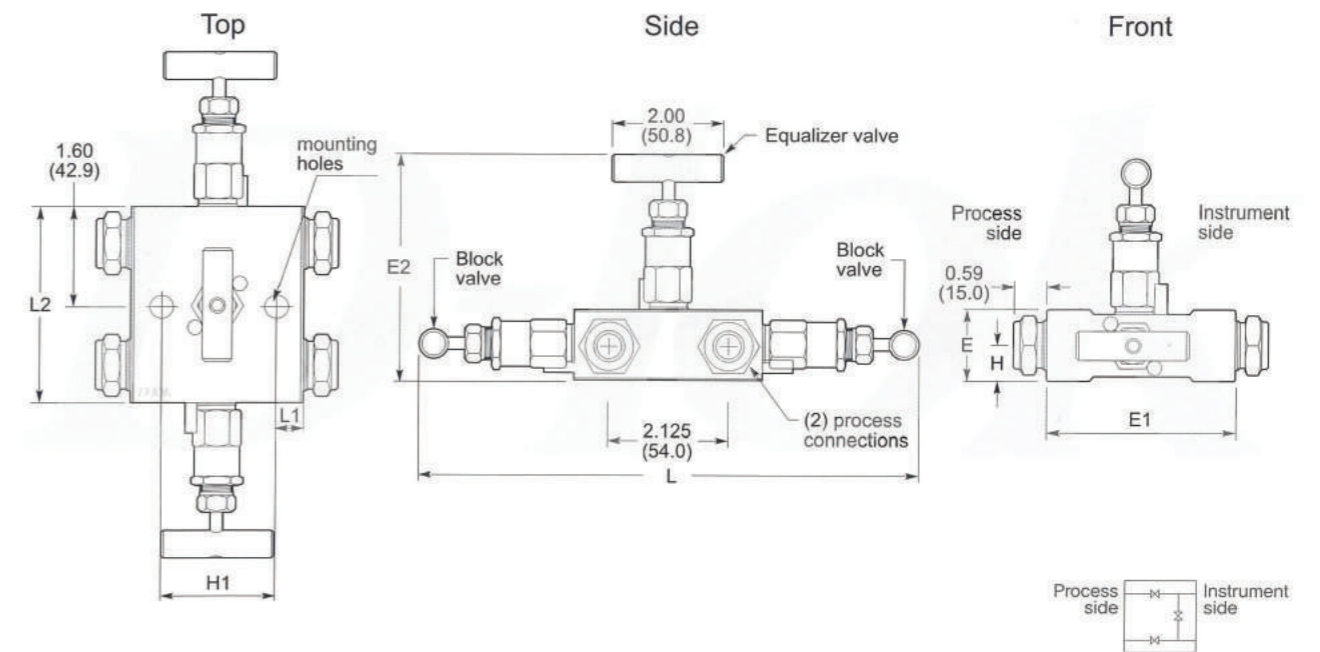


Basic Ordering Number	End Connections			Dimensions, inch. (mm)						
	Process	Instrument	Bleed	L	L1	L2	E	E1	H	H1
S-N2MVFD8	1/2 in. female D-lok tube fitting			4.19 (106)	1.89 (48.0)	0.44 (11.2)	2.48 (63.0)	1.31 (33.3)	2.75 (69.9)	3.02 (76.7)
S-N2MVFD12MM	12 mm female D-lok tube fitting			4.19 (106)	1.89 (48.0)	0.44 (11.2)	2.48 (63.0)	1.31 (33.3)	2.75 (69.9)	3.02 (76.7)
S-N2MVF8	1/2 in. female NPT			3.82 (97.0)	1.62 (41.1)	0.31 (7.9)	2.12 (53.8)	1.31 (33.3)	2.50 (63.5)	3.02 (76.7)

N3MV

- Designed for mounting on differential pressure transmitters with 2 1/8" (54mm) center-to-center connections
- Consists of two block valves and one equalizer valve
- End connections-1/2" and 12mm female D-lok tube fitting, 1/2" female pipe(NPT)
- Horizontal body style
- Direct instrument mount and remote mount

Manifolds with Female D-lok Tube Fittings and Pipe Connections



Basic Ordering Number	End Connections		Dimensions, inch. (mm)							
	Process	Instrument	L	L1	L2	E	E1	E2	H	H1
S-N3MVFD8	1/2 in. female NPT		9.03 (229)	0.31 (7.9)	3.50 (88.9)	1.31 (33.3)	2.50 (63.5)	4.08 (104)	0.66 (16.8)	1.88 (47.8)
S-N3MVFD8	1/2 in. female D-lok tube fitting		8.91 (226)	0.46 (11.7)	3.38 (85.9)	1.31 (33.3)	3.04 (77.2)	4.08 (104)	0.66 (16.8)	1.88 (47.8)
S-N3MVFD12MM	12 mm female D-lok tube fitting		8.91 (226)	0.46 (11.7)	3.38 (85.9)	1.31 (33.3)	3.04 (77.2)	4.08 (104)	0.66 (16.8)	1.88 (47.8)